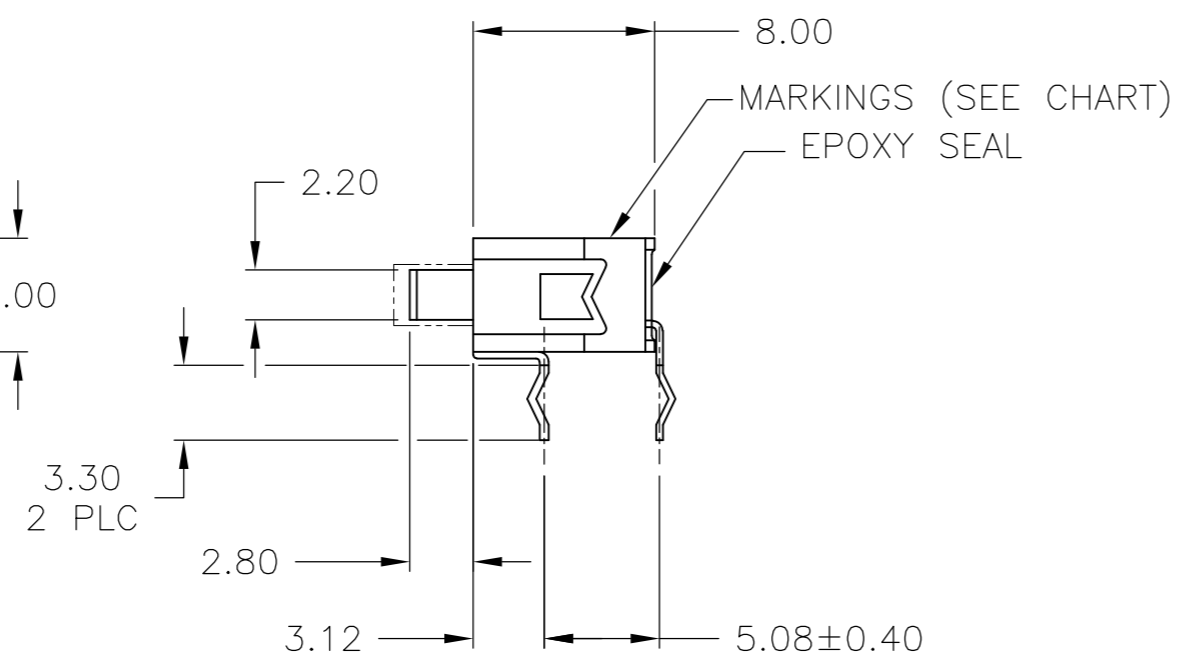
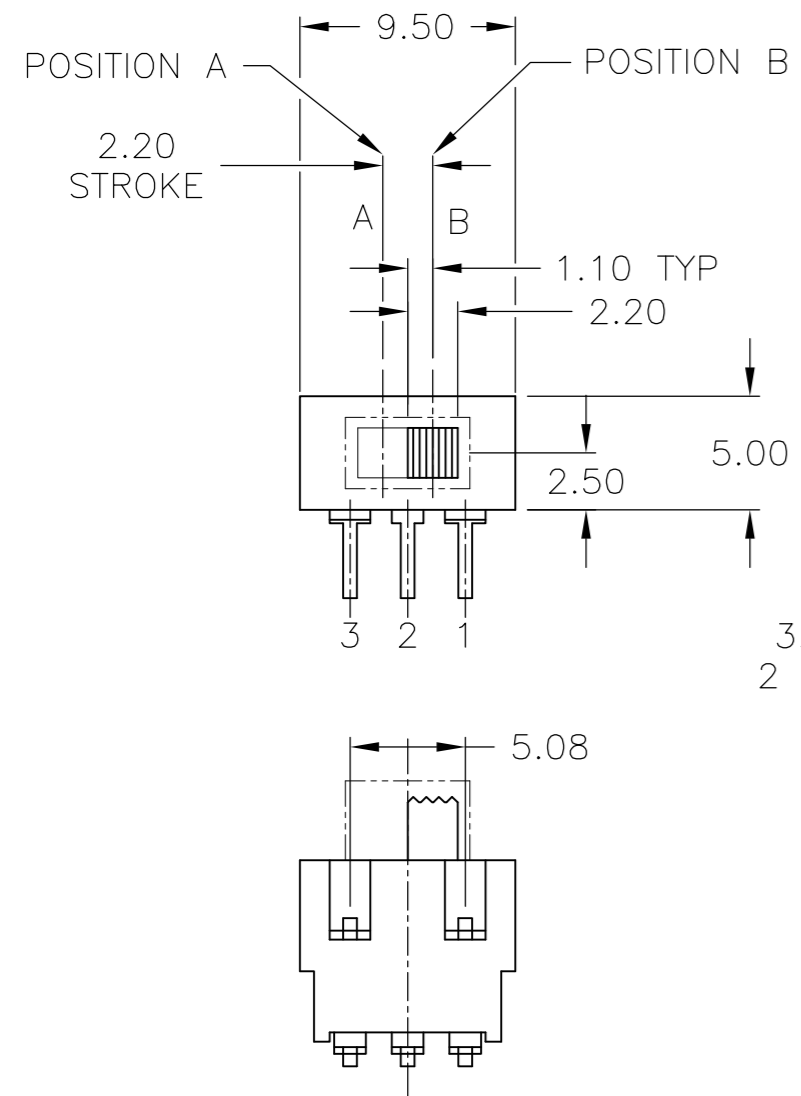
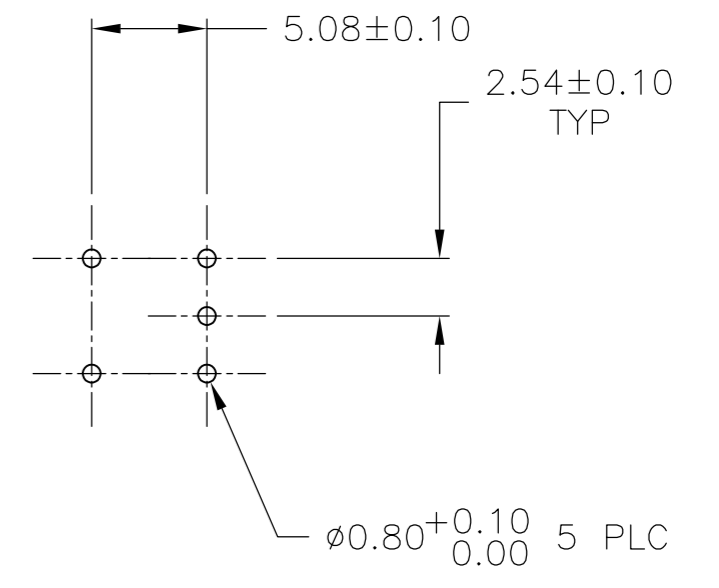
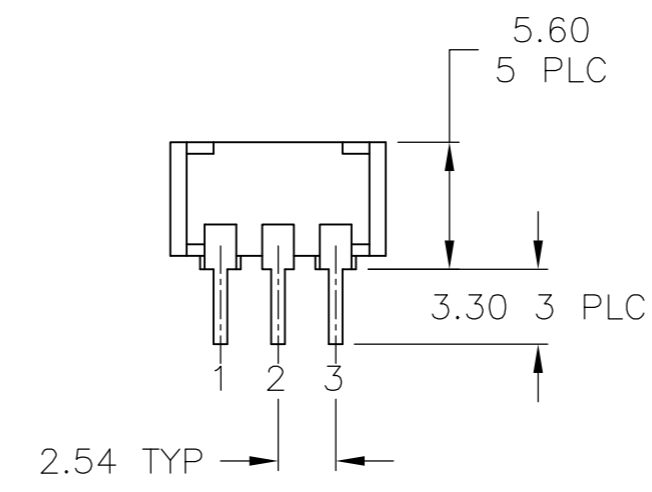


THIS DRAWING IS UNPUBLISHED. RELEASED FOR PUBLICATION 1825031, 1825031  
 © COPYRIGHT 1825031y - ALL RIGHTS RESERVED.

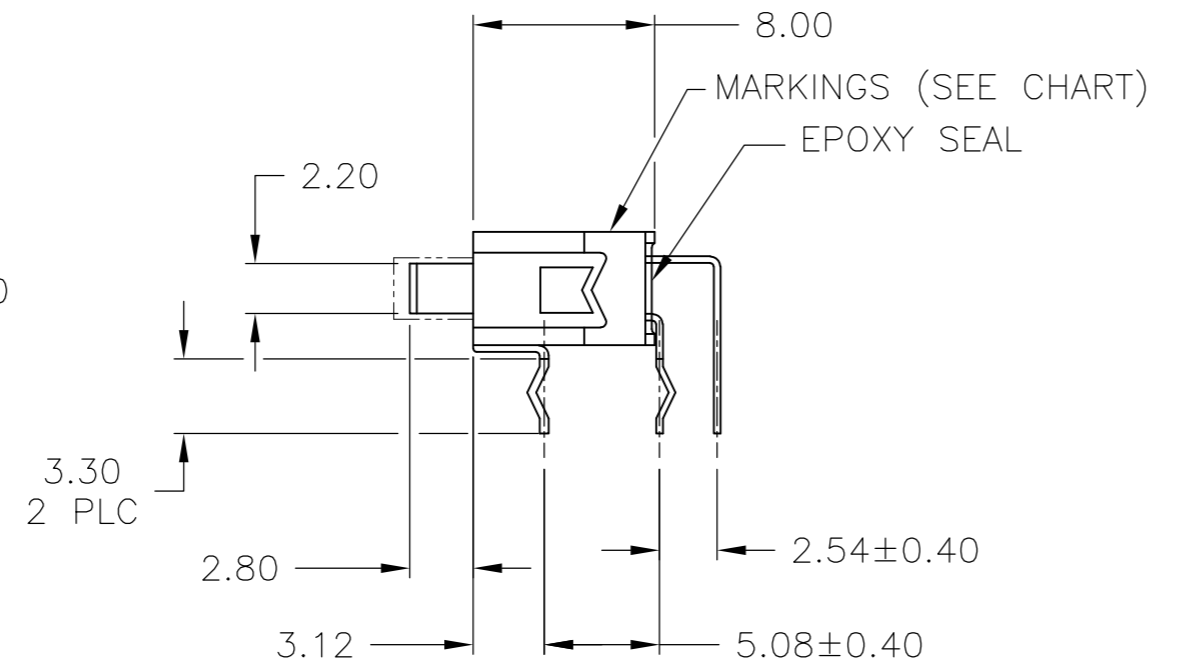
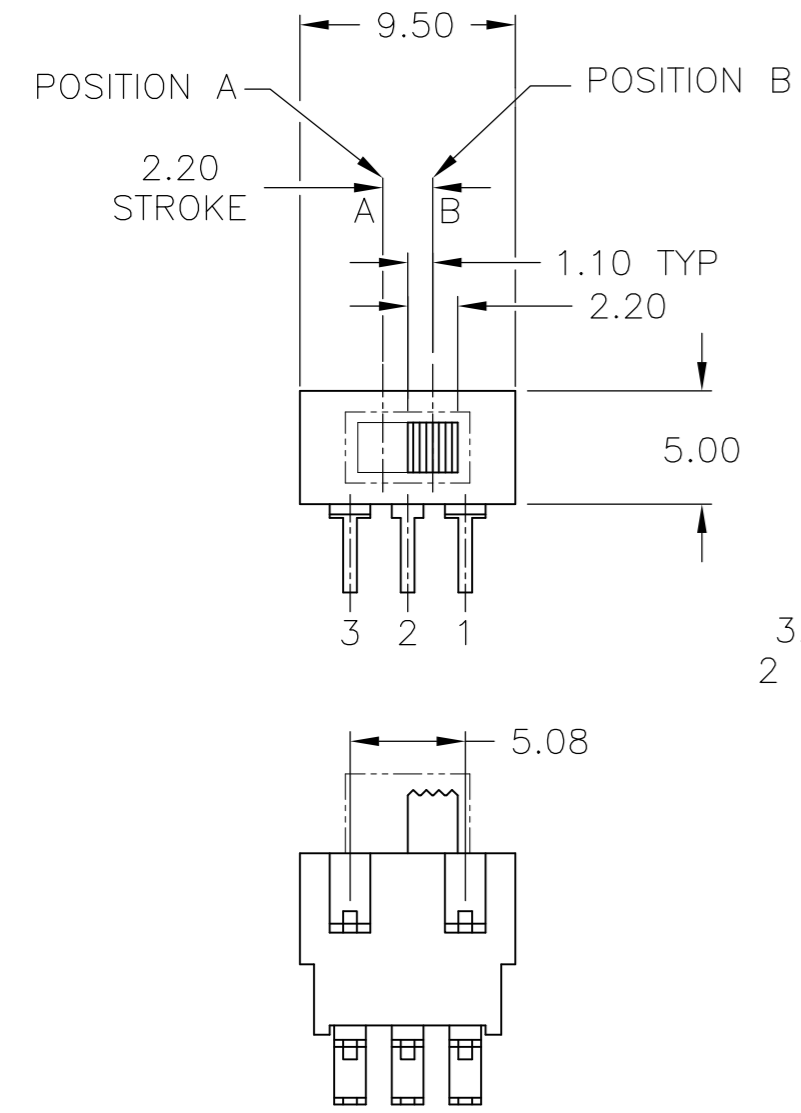
| LOC |     | DIST        |                           | REVISIONS |         |      |    |
|-----|-----|-------------|---------------------------|-----------|---------|------|----|
| P   | LTR | DESCRIPTION |                           | DATE      | DWN     | APVD |    |
| AD  | 00  | C2          | REVISED PER ECO-12-002677 |           | 13FEB12 | KH   | PO |



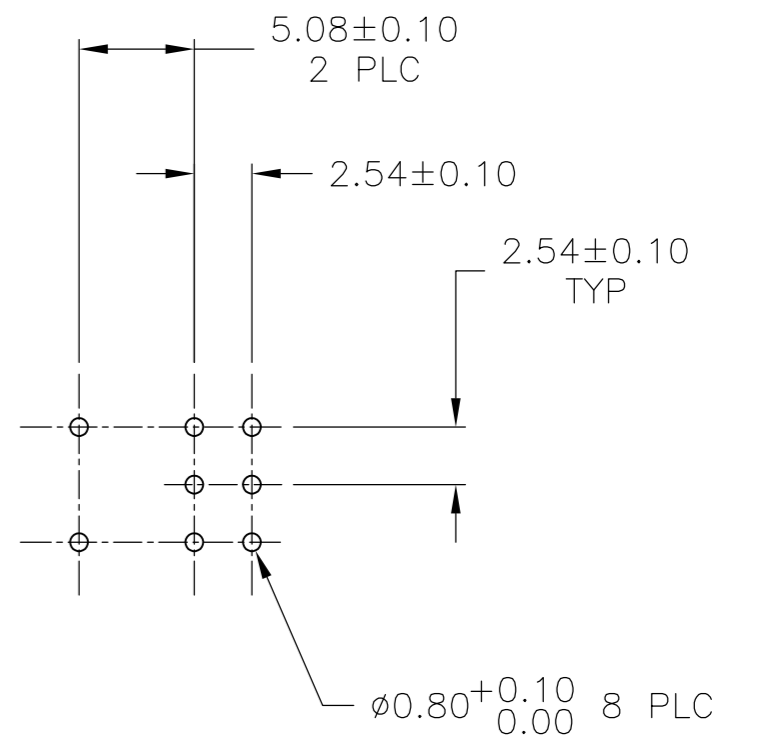
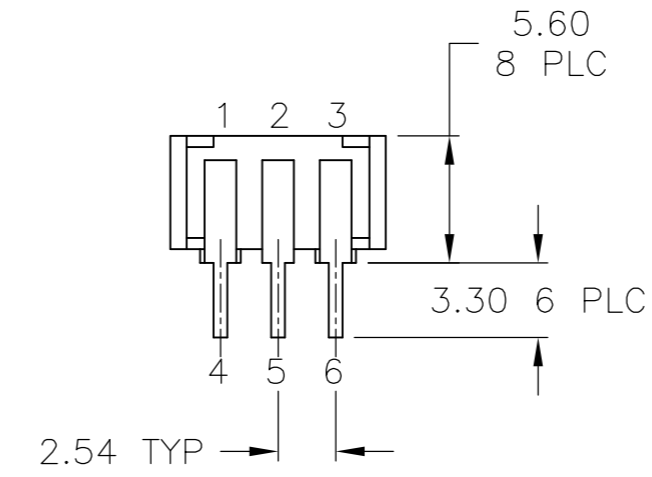
SINGLE POLE



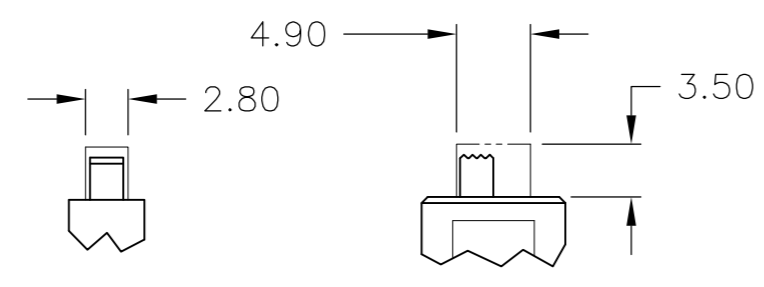
RECOMENDED P.C. HOLE LAYOUT SINGLE POLE



DOUBLE POLE



RECOMENDED P.C. HOLE LAYOUT DOUBLE POLE



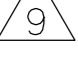


ACTUATOR BOOT DIMENSIONS SCALE 2:1

|  |         |                  |                |         |                                       |           |            |               |
|--|---------|------------------|----------------|---------|---------------------------------------|-----------|------------|---------------|
| THIS DRAWING IS A CONTROLLED DOCUMENT. |         | DWN              | B.S.VISWESWARA | 02MAR05 | <b>TE</b> TE Connectivity             |           |            |               |
| DIMENSIONS: mm                         |         | CHK              | M.S.SARVER     | APVD    |                                       |           |            | NAME          |
| TOLERANCES UNLESS OTHERWISE SPECIFIED: |         | PRODUCT SPEC     | -              |         | SWITCH, SLIDE, RIGHT ANGLE, SE(**)GRA |           |            |               |
| 0 PLC                                  | ± -     | APPLICATION SPEC | -              |         | SIZE                                  | CAGE CODE | DRAWING NO | RESTRICTED TO |
| 1 PLC                                  | ± -     | WEIGHT           | -              |         | A2                                    | -         | 1825031    | -             |
| 2 PLC                                  | ± 0.25  | CUSTOMER DRAWING | -              |         | SCALE                                 | SHEET     | REV        |               |
| 3 PLC                                  | ± -     |                  | -              |         | 3:1                                   | 1 of 2    | C2         |               |
| 4 PLC                                  | ± -     |                  | -              |         |                                       |           |            |               |
| ANGLES                                 | ± 0°30' |                  | -              |         |                                       |           |            |               |
| MATERIAL                               | FINISH  |                  | -              |         |                                       |           |            |               |

THIS DRAWING IS UNPUBLISHED. RELEASED FOR PUBLICATION 1825031, 1825031  
 © COPYRIGHT 1825031y - ALL RIGHTS RESERVED.




| LOC |     | DIST        |      | REVISIONS |      |  |  |
|-----|-----|-------------|------|-----------|------|--|--|
| P   | LTR | DESCRIPTION | DATE | DWN       | APVD |  |  |
| -   | -   | SEE SHEET 1 | -    | -         | -    |  |  |

- OPERATING TEMPERATURE: -20°C TO 80°C.
- STORAGE TEMPERATURE: -40°C TO 80°C.
- CONTACT TIMING: NON-SHORTING.
- CONTACT RATING: 0.4VA @ 20VDC.
- CONTACT RATING MAXIMUM: 50mA 48V AC/DC.
- CONTACT RATING MINIMUM: 1µA 20mV AC/DC.
-  CONTACT PLATING: GOLD OVER SILVER.
-  FIXED CONTACT/TERMINAL: GOLD OVER NICKEL.
-  FRAME PLATING: TIN OVER NICKEL.
- INITIAL CONTACT RESISTANCE: LESS THAN 50 MILLIOHMS PER EIA 364-23B.
- FINAL CONTACT RESISTANCE: 100 MILLIOHMS MAX PER EIA 364-23B.
- INSULATION RESISTANCE: 500 MEGOHMS MIN AT 250VDC PER EIA 364-21C.
- DIELECTRIC STRENGTH: 500VAC BETWEEN TERMINALS AND GROUND PER EIA 364-20B, CONDITION 1.
- VIBRATION PER EIA 364-28D, CONDITION VII, LEVEL E.
- MECHANICAL SHOCK PER EIA 364-27B, CONDITION A.


16. LIFE EXPECTANCY: ON-OFF ELECTRICAL SWITCHING OPERATIONS PER EIA 364-9C 10 CYCLES PER MINUTE AT THE FOLLOWING RATED LOAD.

| TYPE | MAXIMUM CONTACT RATING | 0.4 VA             | MINIMUM CONTACT RATING |
|------|------------------------|--------------------|------------------------|
| D,E  | 10000 (OPERATIONS)     | 30000 (OPERATIONS) | 30000 (OPERATIONS)     |

- ACTUATION FORCE: 70-500g PER EIA 364-13B.
- THERMAL SHOCK PER EIA 364-32C, -25°C TO 85°C.
- HUMIDITY-TEMPERATURE CYCLING PER EIA 364-31B, METHOD III.
- TEMPERATURE LIFE PER EIA 364-17B, METHOD B, TEMPERATURE TEST CONDITION 3, TIME CONDITION B.
- RESISTANCE TO SOLDER HEAT PER 109-202,CON B.
- SOLDERABILITY PER EIA 364-52, CLASS 2, CATEGORY 1.
- PROCESS SEALED.
- ALL MATERIALS AND FINISHES SHALL COMPLY WITH EU DIRECTIVE 2000/95/EC OF 27 JAN2003 (ROHS)

|   |                               |                         |
|---|-------------------------------|-------------------------|
| COLOR- WHITE  | PET FILM UL94-HB              | SLIDE PLATE             |
| COLOR- BLACK  | PA46 UL94V-0 30% GLASS FILLED | TERMINAL BOARD          |
| -   | STAINLESS STEEL               | COIL SPRING             |
| COLOR- WHITE  | PA46 UL94V-0 30% GLASS FILLED | PLUNGER                 |
| -   | SILICON RUBBER                | ACTUATOR BOOT           |
| -   | EPOXY                         | TERMINAL SEAL           |
|  | PHOSPHOR BRONZE               | MOVABLE CONTACT         |
|  | PHOSPHOR BRONZE               | FIXED CONTACT /TERMINAL |
| COLOR- YELLOW   | PA46 UL94V-0 30% GLASS FILLED | ACTUATOR                |
|  | BRASS                         | FRAME                   |
| COLOR- GRAY   | PA46 UL94V-0 30% GLASS FILLED | CASE                    |
| FINISH  | MATERIAL                      | PART DESCRIPTION        |

|   |   |   |          |                        |                |
|---|---|---|----------|------------------------|----------------|
| ON 2-3 5-6  | OFF   | ON 2-1 5-4  | ALCO     | SE2EGRA04              | 1825031-4      |
| ON 2-3 5-6  | NONE  | ON 2-1 5-4  | ALCO     | SE2DGRA04              | 1825031-3      |
| ON 2-3  | OFF   | ON 2-1  | ALCO     | SE1EGRA04              | 1825031-2      |
| ON 2-3  | NONE  | ON 2-1  | ALCO     | SE1DGRA04              | 1825031-1      |
|  |  |  | MARKINGS | ALCOSWITCH PART NUMBER | TE PART NUMBER |
| POSITION A  |   | POSITION B  |          |                        |                |
| CIRCUIT ARRANGEMENT   |   |   |          |                        |                |
| CIRCUIT CHARACTERISTICS   |   |   |          |                        |                |

|  |  |                            |   |  |
|--|--|----------------------------|---|--|
| THIS DRAWING IS A CONTROLLED DOCUMENT. |  | DWN B.S.VISWESWARA 02MAR05 |  TE Connectivity |  |
| DIMENSIONS: mm                         |  | CHK M.S.SARVER             |   |  |
| TOLERANCES UNLESS OTHERWISE SPECIFIED: |  | APVD -                     | NAME SWITCH, SLIDE, RIGHT ANGLE, SE(**)GRA  |  |
| 0 PLC ± -                              |  | PRODUCT SPEC -             | SIZE A2   |  |
| 1 PLC ± -                              |  | APPLICATION SPEC -         | CAGE CODE -   |  |
| 2 PLC ± 0.25                           |  | WEIGHT -                   | DRAWING NO C=1825031  |  |
| 3 PLC ± -                              |  | CUSTOMER DRAWING           | RESTRICTED TO -   |  |
| 4 PLC ± -                              |  | SCALE 1:1                  | SHEET 2 OF 2  |  |
| ANGLES ± 0°30'                         |  | REV C2                     |   |  |